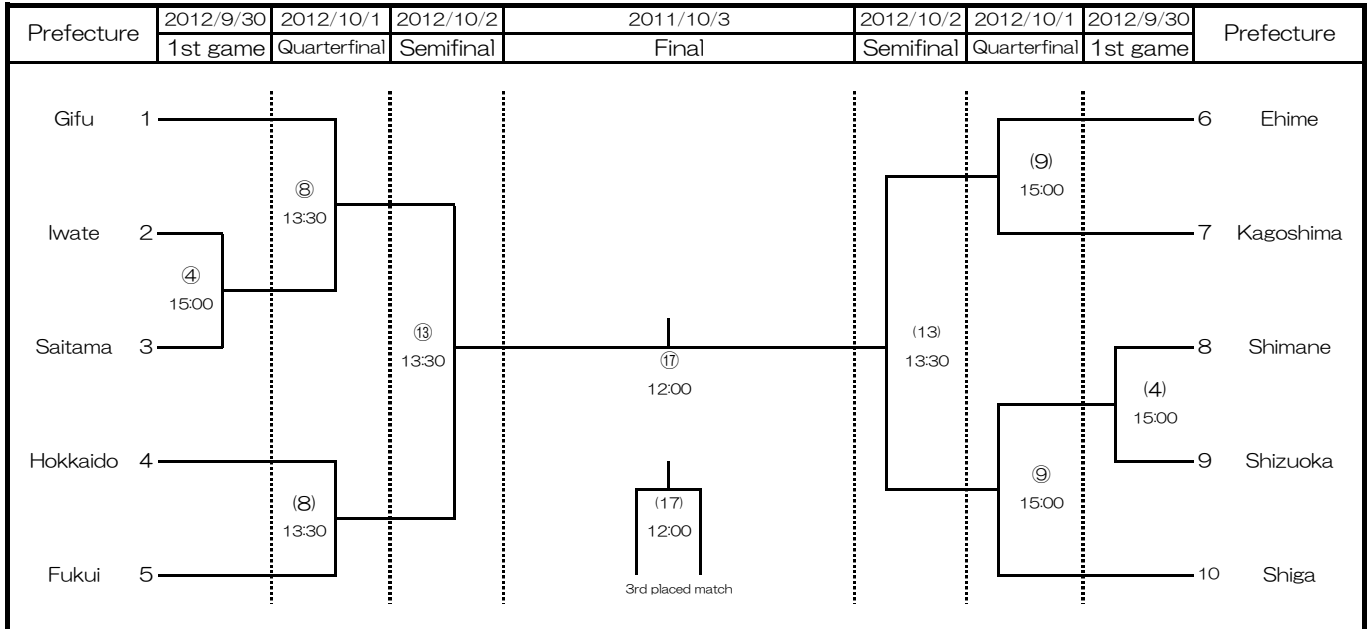


Tournament Chart

[Youth Men]



[Youth Women]

